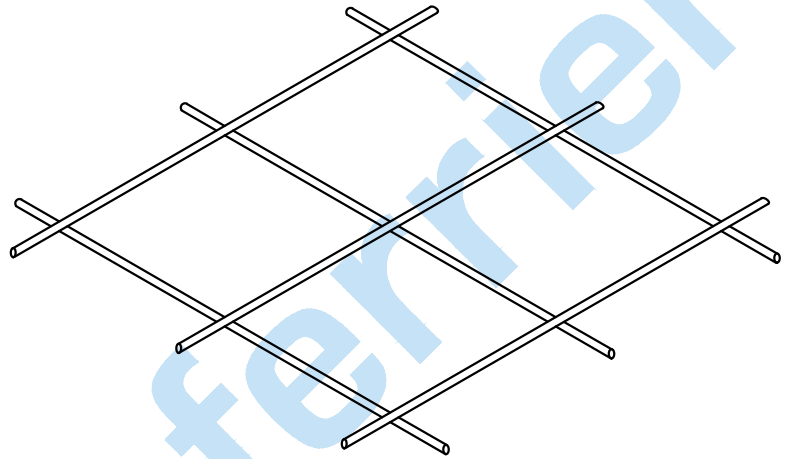


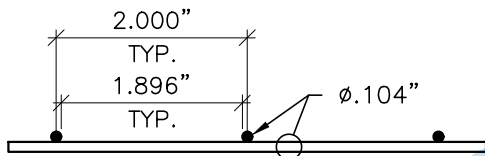
PLAN

SCALE: 6"=1'-0"



ISOMETRIC

SCALE: 6"=1'-0"



A SECTION

SCALE: 6"=1'-0"

WELDMESH

DESCRIPTION: 2" x 2" x 12 GAUGE WELDMESH

METRIC DESIGNATION: 51 x 51 MW5.6 x MW5.6

CONSTRUCTION: RESISTANCE SPOT WELDED

MATERIAL: GBW (GALVANIZED BEFORE WELDING), ZINC TYPE S.H.G. PURE 99.995%

SPACING: 2" x 2" CENTRE TO CENTRE (50.8 mm x 50.8 mm CENTRES)

WIRE DIA.: .104" (2.64 mm, 12 GAUGE)

CLEAR OPENING: 1.896" (48.158 mm)

% OPEN AREA: 89.9

WEIGHT: ~35.0 lbs/csf

COUNTRY OF ORIGIN: ITALY

INTERNATIONAL STANDARDS:

1. UNI-EN 10218-2 (STEEL WIRE AND WIRE PRODUCTS)
2. UNI-EN 10244-2 (NON FERROUS METALLIC COATING ON STEEL WIRE, ZINC OR ZINC ALLOY COATINGS)
3. UNI-EN 10223-4 (STEEL WIRE WELDED FENCE)
4. ASTM A185: STEEL WIRE FABRIC FOR CONCRETE REINFORCEMENT

PRODUCT: GBW 2" x 2" x 12 GAUGE WELDMESH

Project No. FW-06	Date: OCT 27, 2017	Drawn By: RR
Drawing No. S10	Rev:	Checked By: MW

ferrier

WIRE GOODS COMPANY LTD. • SINCE 1812

170 Mulock Avenue
Toronto, ON M6N 3C8

Tel: 416-769-5280

Fax: 416-769-2232

Toll Free: 888-769-5280

info@ferrierwire.com

www.ferrierwire.com